

Basic Rack PDU

Rack PDU, Basic, Zero U, 20A, 120V, (24)5-20



APC Basic Rack PDU , Input: 120V , Input Connections: NEMA L5-20P , Cord Length: 10 feet (3.05 meters) , Output: 120V , Output Connections: NEMA 5-20R

Includes: Cord retention bracket(s), Installation guide, Rack Mounting brackets, Toolless Mounting Kit, User Manual

Standard Lead Time: Usually in Stock


AP7530 Features

Toolless Mounting Capabilities	Units do not require additional tools to mount into APC NetShelter VX, which allows the users to quickly and easily mount units in the rear of the enclosure.
Vertical Mounting Capabilities	Easily mounts vertically in racks or enclosures and occupies zero U of valuable rack space, which allows more equipment in the rack. Units that mount vertically are optimized to fit in a NetShelter VX enclosures.


Basic Rack PDU Features & Benefits

Agility	
Rack-Mountable	Includes horizontal, vertical, and toolless-mount varieties. Puts power where it is needed most - in the racks near the equipment.
Single input power source	Supply power from one branch whip to multiple pieces of equipment, conveniently powering rack-mount equipment. Saves time and money during installation by using one branch whip and standard connections.
Wide range of input and output connections	Product family includes a variety of input and output connections to distribute 120V, 208V, or 230V power to multiple outlets. Having a variety of inputs and outputs allow users to adapt to varying power requirements. APC offers units that bring up to 14.4kW using a single branch whip.
Total Cost of Ownership	
Low Cost Power Distribution	Provides a number of outlets to bring power to rack equipment at an affordable price.

Output

Nominal Output Voltage	120V	
Maximum Total Current Draw per Phase	16A	
Output Connections	(24) NEMA 5-20R	
Always on Outlets	24	
Overload Protection	No	

Input

Nominal Input Voltage	120V	
Input Frequency	50/60 Hz	
Regulatory Derated Input Current (North America)	16A	
Input Connections	NEMA L5-20P	
Cord Length	3.05 meters	
Number of Power Cords	1	
Acceptable Input Voltage	100-120 VAC	
Maximum Input Current per phase	20A	
Load Capacity	1920 VA	

Physical

Net Weight	4.86 KG
Maximum Height	1619.00 mm
Maximum Width	56.00 mm
Maximum Depth	44.00 mm
Shipping Weight	5.77 KG
Shipping Height	2134.00 mm
Shipping Width	152.00 mm
Shipping Depth	127.00 mm
Color	Black

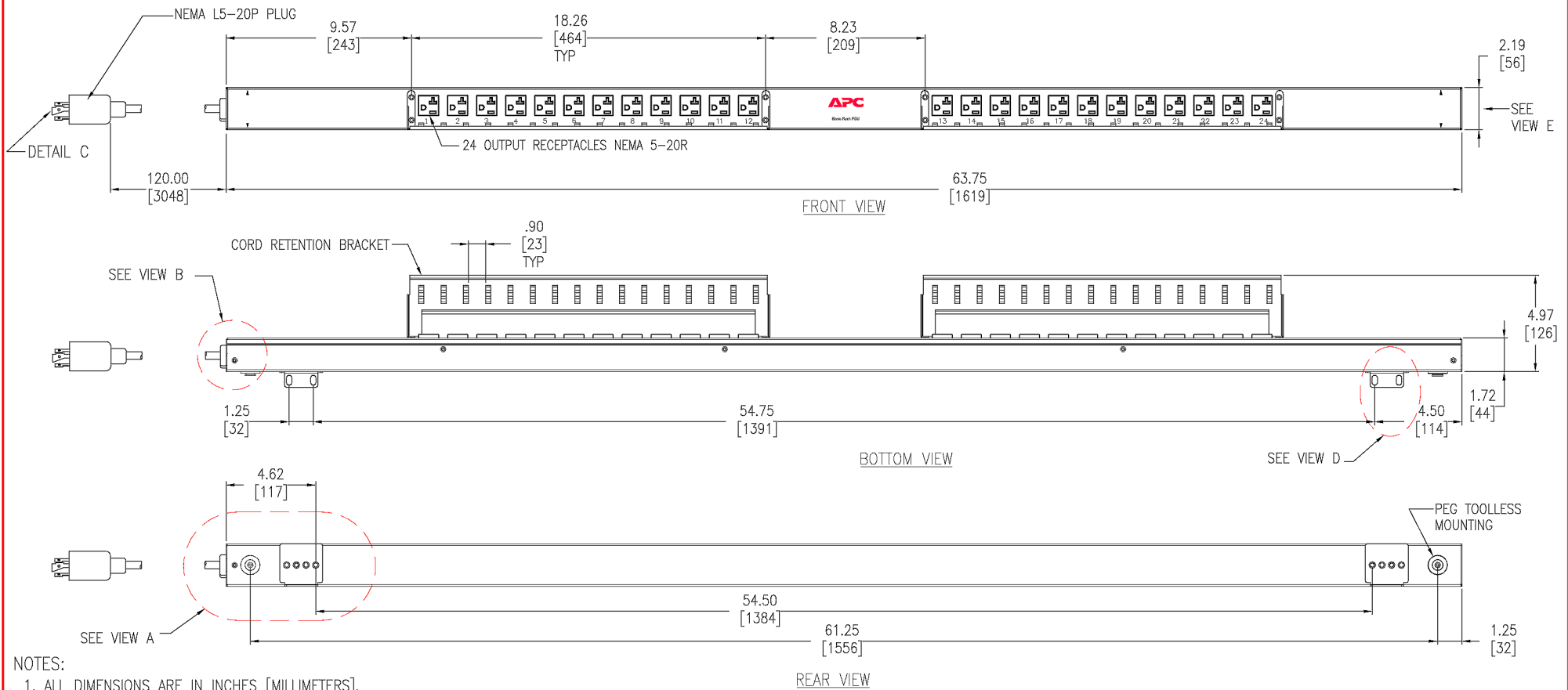
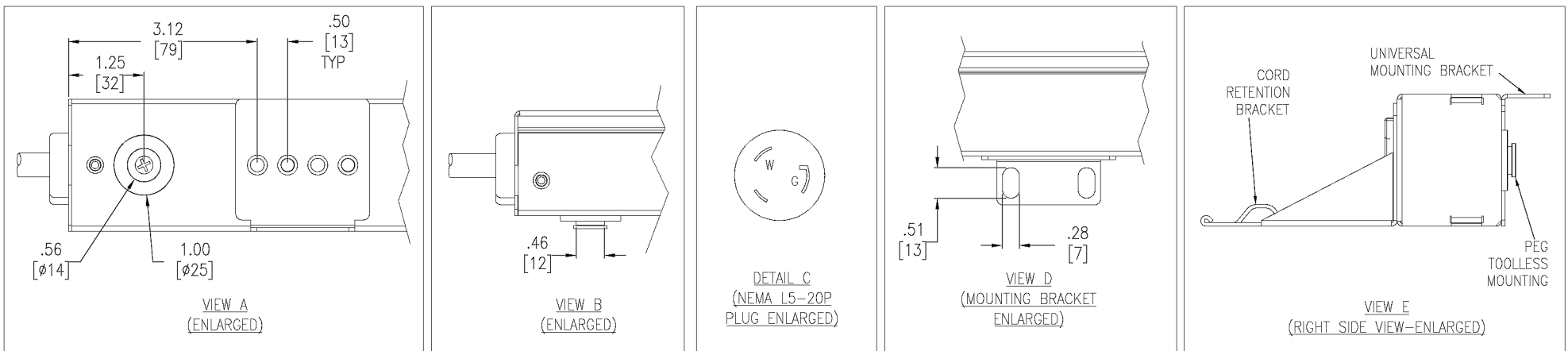
Environmental

Operating Environment	-5 - 45 °C
-----------------------	------------

Operating Relative Humidity	5%
Operating Elevation	0-4500 meters
Storage Temperature	-25 - 65 °C
Storage Relative Humidity	5%
Storage Elevation	0-15000 meters

Conformance

Regulatory Approvals	cUL Listed, CSA C22.2 No. 60950-1-03, UL 60950-1, UL Listed
Standard Warranty	2 years repair or replace
ROHS/WEEE Compliance	RoHS 7b Exemption



NOTES:

1. ALL DIMENSIONS ARE IN INCHES [MILLIMETERS].
2. NET WEIGHT IS 10.7 LBS [4.9 kg]
3. UNIVERSAL MOUNTING BRACKET IS AN ALTERNATIVE MOUNTING METHOD TO THE TOOLLESS MOUNT FOR NON APC RACKS.
4. BRACKET KITS TO MOUNT TO SPECIFIC COMPETITORS RACKS ARE AVAILABLE AS OPTIONS.
5. INSTALLATION MUST COMPLY WITH ALL APPLICABLE NATIONAL AND LOCAL CODES.

THIS DRAWING AND SPECIFICATIONS HEREIN ARE THE PROPERTY OF AMERICAN POWER CONVERSION AND SHALL NOT BE COPIED, REPRODUCED OR USED IN WHOLE OR IN PART, AS THE BASIS FOR THE MANUFACTURE OR SALE OF ITEMS WITHOUT WRITTEN PERMISSION FROM APC. THIS DRAWING IS BASED UPON LATEST AVAILABLE INFORMATION AND IS SUBJECT TO CHANGE WITHOUT NOTICE.

TITLE: RACK PDU, BASIC
 ZERO U, 20A, 120V, INPUT: NEMA L5-20P
 OUTPUT: (24) NEMA 5-20R
 MAIN MECHANICAL

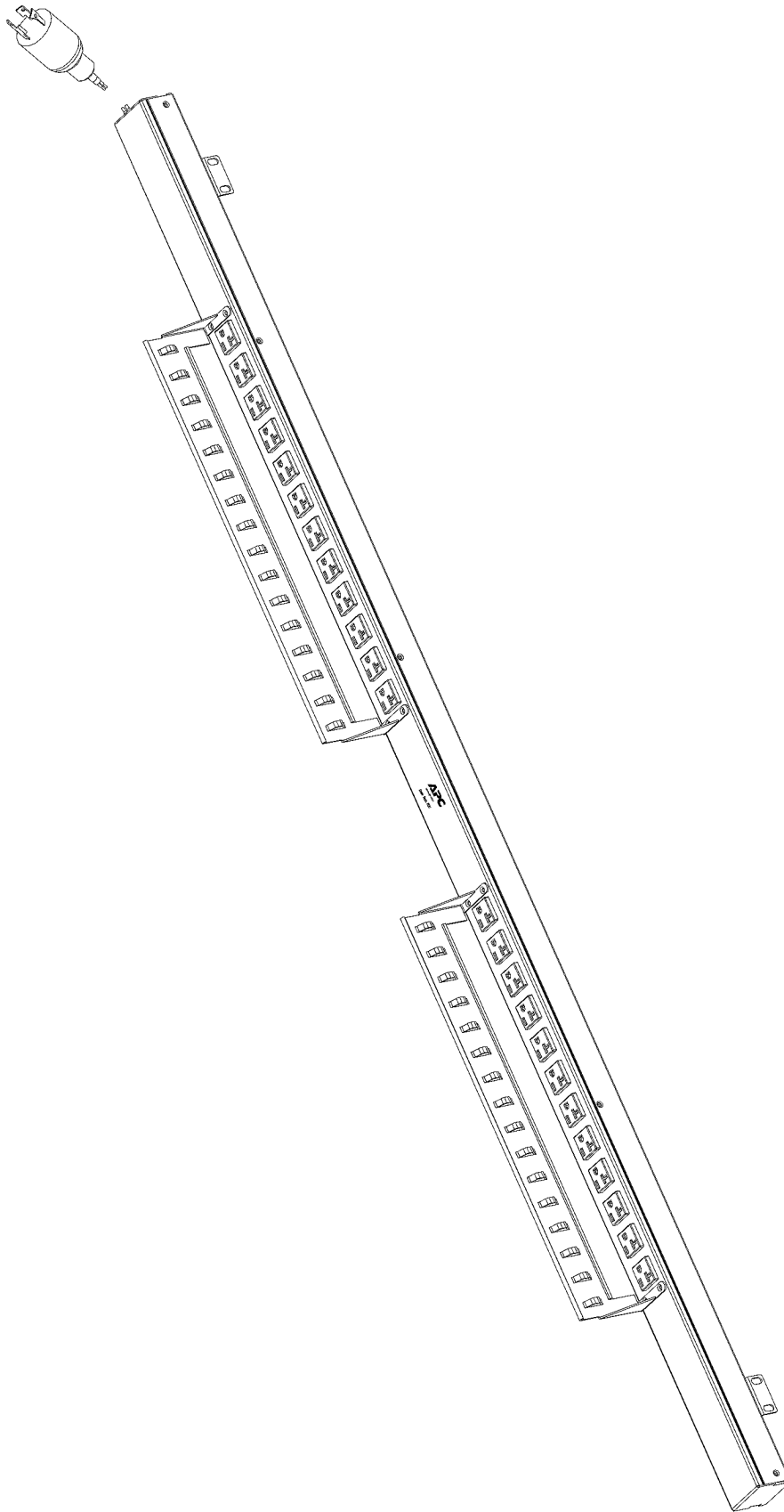
PROJECT: SUBMITTAL DRAWINGS SHEET 1 OF 2

DWG NO: AP7530-MM1
 DRAWN BY: JAYAPRAKASH
 CHECKED BY: T.HORSTMANN
 ENGINEER: J.RING/ E.SILVA

REV. 1



ISOMETRIC VIEW



THIS DRAWING AND SPECIFICATIONS HEREIN ARE THE PROPERTY OF AMERICAN POWER CONVERSION AND SHALL NOT BE COPIED, REPRODUCED OR USED IN WHOLE OR IN PART, AS THE BASIS FOR THE MANUFACTURE OR SALE OF ITEMS WITHOUT WRITTEN PERMISSION FROM APC. THIS DRAWING IS BASED UPON LATEST AVAILABLE INFORMATION AND IS SUBJECT TO CHANGE WITHOUT NOTICE.

TITLE: RACK PDU, BASIC
 ZERO U, 20A, 120V, INPUT: NEMA L5-20P
 OUTPUT: (24) NEMA 5-20R
 ISOMETRIC VIEW
 PROJECT: SUBMITTAL DRAWINGS SHEET 2 OF 2

DWG NO: AP7530-MM2
 DRAWN BY: JAYAPRAKASH
 CHECKED BY: T.HORSTMANN
 ENGINEER: J.RING/ E.SILVA

REV. 1





by Schneider Electric

Basic Rack PDU

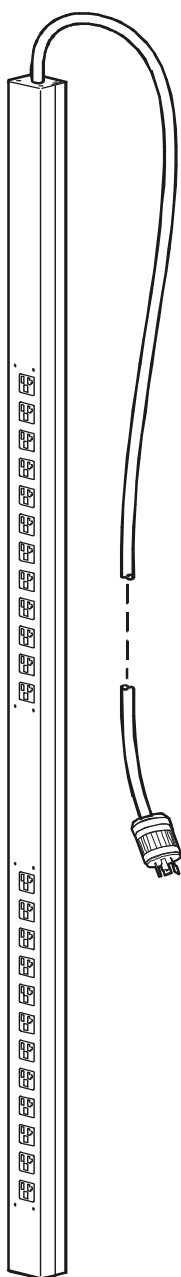
Overview

The American Power Conversion® Basic Rack PDU distributes power to devices in the rack.

Outlets. The Rack PDU has twenty-four (24) NEMA 5-20 outlets.

Power cord. The 10-foot (3.05-meter) power cord terminates with a NEMA L5-20 connector.

AP7530





by Schneider Electric

Specifications

Electrical

Input connector	NEMA L5-20 plug
Output connectors	(24) NEMA 5-20 outlets
Nominal input voltage	120 VAC
Acceptable input voltage	$\pm 10\%$ of nominal voltage
Input frequency	50/60 Hz

Physical

Dimensions (H \times W \times D)	63.75 x 2.19 x 1.73 in (161.92 x 5.56 x 4.39 cm)
Shipping dimensions (H \times W \times D)	84.00 x 6.00 x 5.00 in (213.36 x 15.24 x 12.7 cm)
Weight	10 lb (4.54 kg)
Shipping weight	17 lb (7.71 kg)

Environmental

Maximum elevation (above MSL)	
Operating	15,000 ft (4500 m)
Storage	50,000 ft (15 000 m)
Temperature	
Operating	23 to 115° F (-5 to 45° C)
Storage	-13 to 149° F (-25 to 65° C)
Humidity	
Operating	5 – 95% RH non-condensing
Storage	5 – 95% RH non-condensing

Compliance

Safety verification	UL/cUL 60950 Listed
---------------------	---------------------

© 2008 American Power Conversion. All rights reserved. All APC trademarks are property of American Power Conversion. Other trademarks are property of their respective owners.



990-1938A